

Job Name _____
 Purchaser _____
 Submitted to _____
 Unit Designation _____

Location _____
 Engineer _____
 Reference _____ Approval _____ Construction _____
 Schedule # _____

Specifications

Model	Indoor Unit Model Number (US Code)		AC030BN4DCH/AA (CNH304DB)	
	Outdoor Unit Model Number (US Code)		AC030BXSCCC/AA (CXC30SCB)	
Performance	Nominal Capacity	Cooling (Btu/h)	30,000	
	Capacity Range	Cooling (Btu/h)	9,000 - 36,000	
	AHRI 210-240 2017 ¹	SEER		21.0
		EER		11.0
	AHRI 210-240 2023 ²	SEER2		21.5
EER2			11.0	
Power	Voltage	ø / V / Hz	1 / 208-230 / 60	
	Working Voltage Range (VAC)		187 - 253	
	Operating Current	(min. / std. / max.)	3.10 / 12.11 / 20.2	
	Max. Breaker	Amps	30	
	Min. Circuit Ampacity (A)		23.5	
Dimensions	W X H X D (in.)	Indoor Unit	33 1/16 X 11 5/16 X 33 1/16	
		Outdoor Unit	37 X 39 5/16 X 13	
	Weight (lbs.)	Indoor Unit	41.9	
		Outdoor Unit	156.5	
Sound Pressure Level	Indoor Unit dB(A)	L / M / H	30 / 34 / 37	
	Outdoor Unit dB(A)	High	52	
Operating Temperatures	Outdoor	°F (°C)	23 ~ 122°F (-5 ~ 50°C)	
			-40 ~ 122°F (-40 ~ 50°C) W/Baffle	
	Indoor	°F (°C)	61 ~ 90°F (16 ~ 32°C)	
Pipe Connections	Indoor & Outdoor	High side (flare)	3/8"	
		Low side (flare)	5/8"	
	Maximum (ft.)		164	
	Maximum Vertical Separation (ft.)		98	
Condensate Connection			1 1/4" OD, 1" ID	
Refrigerant	Type		R410A	
	Factory Charge	lbs.	5.29	
	Charged for		24.6 ft.	
Compressor	Manufacturer		Samsung	
	Type		Inverter Driven, Twin BLDC Rotary	
	RLA	Amps	16.2	
Evaporator Fan	Type		BLDC (1) With Turbo Type Fan (1)	
	Air Volume	CFM (L/M/H)	629 / 833 / 996	
	Output	Watts	97	
Condenser Fan	Motor		BLDC With Axial Type Fan (1)	
	FLA / Watts / CFM (max.)		0.97A X 1 / 125W X 1 / 2,755 CFM	
Fascia Panel	WindFree™ Type	L X W X H (in.)	37 3/8 X 37 3/8 X 2 1/2 in.	
		Weight (lbs.)	13.88	
Safety	Certifications			
	Devices	UL 60335-2-40 PCB fuses, indoor unit terminal block thermal fuse, current transformer, over-voltage protection, crankcase heating, temperature limit protection logic, compressor overload sensing		



General Information

- The indoor unit shall feature "WindFree™" mode. In cooling mode, as room temperature nears set temperature, the unit will close its louver and will disperse air into the space through thousands of micro-holes on the front of the indoor unit preventing cold air drafts on occupants
- Low ambient cooling to -40°F
- The outdoor unit shall supply power to indoor unit via 14 AWG X 3 power wire
- High-voltage terminal block temperature sensor to disable unit in the event of power connection overheating
- Auto-restart after power loss
- Soft-start compressor minimizing current inrush
- All heat exchangers shall be mechanically bonded aluminum fin to copper tube
- The condensing unit heat exchanger salt spray test method: ISO-9227- the heat exchanger showed no unusual rust or corrosion development to 3,000 hours.

Option settings

- The outdoor unit shall have snow accumulation prevention option setting to prevent snow drifting against an idle outdoor unit.
- Night-time Quiet Mode: reduction of operational sound during evening hours (automatic or manual activation)
- Emergency Temperature Output (ETO) function: when indoor unit is in error status or when room temperature exceeds configurable temperature level, the system outputs a signal to an external source, e.g., backup system, building management system, alert device (ex: status light, warning lamp, buzzer)
- Maximum Current Control configurable from 50% - 100% via outdoor unit, wired controller, or central controls

Indoor Fan

- Indoor fan is a single Turbo type
- Three fan speed settings and auto setting
- Washable filter as standard
- The WindFree™ function will close the supply air outlet louver while in cooling mode to gently disperse cool air into the space without blowing directly onto occupants. The WindFree™ feature is optional and can be enabled using central or local control options
- The WindFree™ indoor unit has an integral humidity sensor that will open the louvers for standard cool mode when space conditions could potentially cause condensation formation on the chassis surface

Construction

- Outdoor unit: Galvanized steel with a baked-on powder coated finish for durability
- Indoor unit: Insulated, HIPS chassis and fascia panel certified to UL94 V0

Controls

- Control wiring shall be 2 X 16 AWG
- Wired controllers must be purchased separately
- No additional interface modules/adapters are required when connecting to Samsung central control options
- The unit shall be operated via a wireless or wired remote control with DDC type signal

Refrigerant System

- The compressor shall be hermetically sealed, inverter-controlled Twin BLDC rotary type
- Refrigerant flow shall be controlled by an electronic expansion valve at outdoor unit

Warranty

7 Years compressor, 5 years parts with registration

This publication reflects both the 1987 Appendix M metric (SEER) and the 2023 Appendix M1 metric (SEER2). Efficiency requirements are published at 10 C.F.R. 430.32(c). Please refer to www.AHRInet.org for more information about updated energy metrics.

¹Performance data certified by AHRI to AHRI 210-240 (2017) with Addendum 1.

²Performance data certified by AHRI to AHRI 210-240 (2023). Effective January 1st, 2023.

Samsung HVAC maintains a policy of ongoing development, specifications are subject to change without notice. Refer to www.AHRIdirectory.org for current reference numbers.

*The WindFree™ unit delivers an air current that is under 0.15 m/s while in WindFree™ mode. Air velocity that is below 0.15 m/s is considered "still air" as defined by ASHRAE (American Society of Heating, Refrigerating, and Air-Conditioning Engineers)

Notice: US Federal law requires that the above model to be installed in all U.S. states and territories except in AZ, CA, NM, and NV. Federal law prohibits installation of this unit in these states.

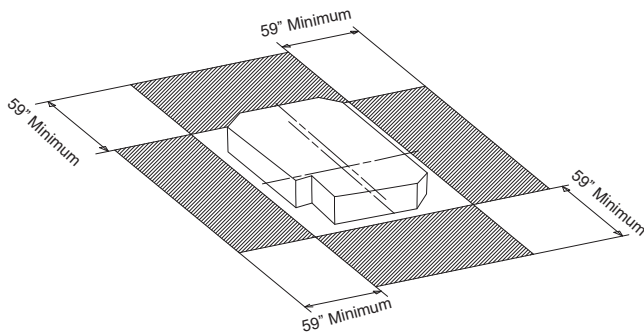
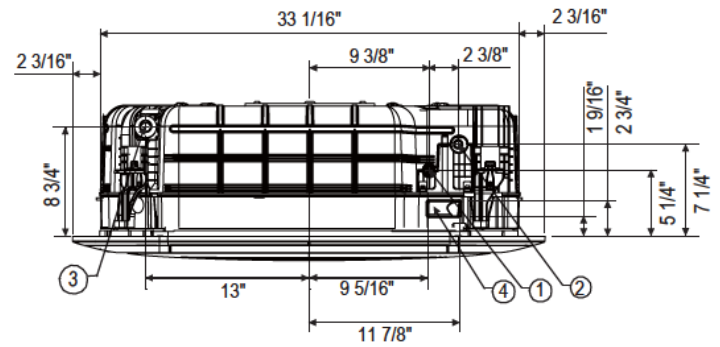
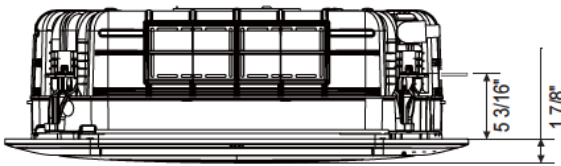
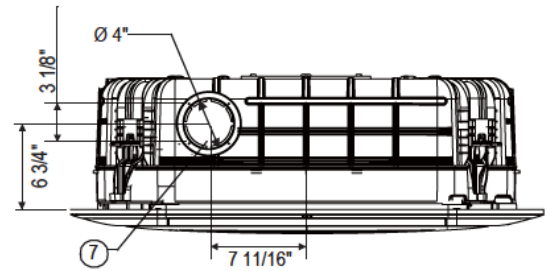
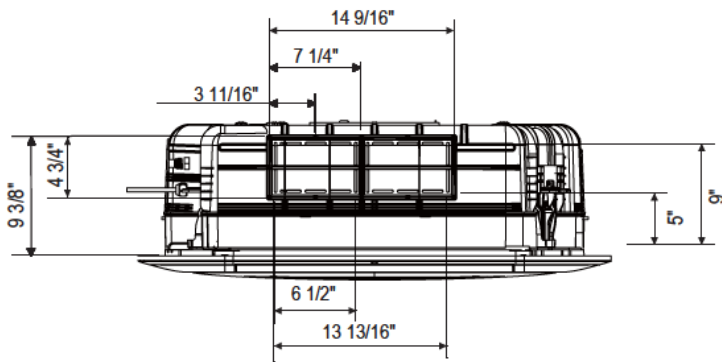
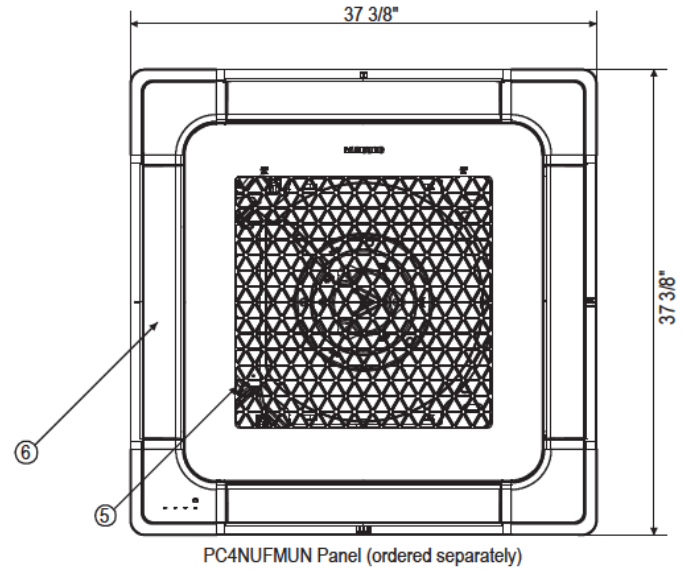
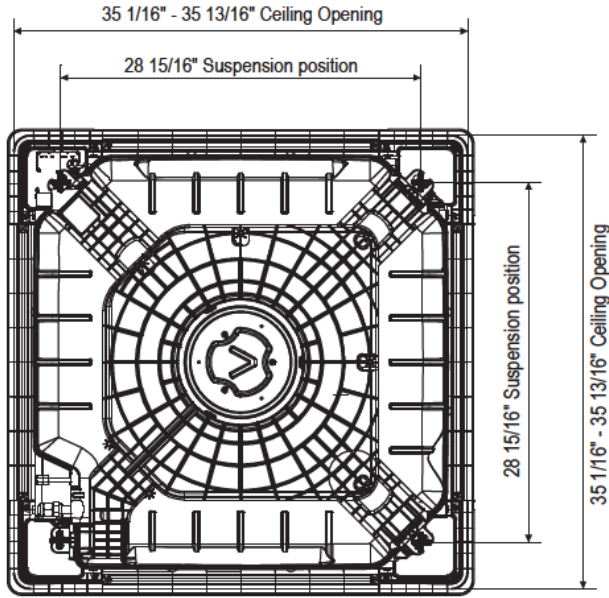


Required Accessories

Fascia panel	WindFree™ Type	<input checked="" type="checkbox"/> PC4NUFMUN
--------------	----------------	---

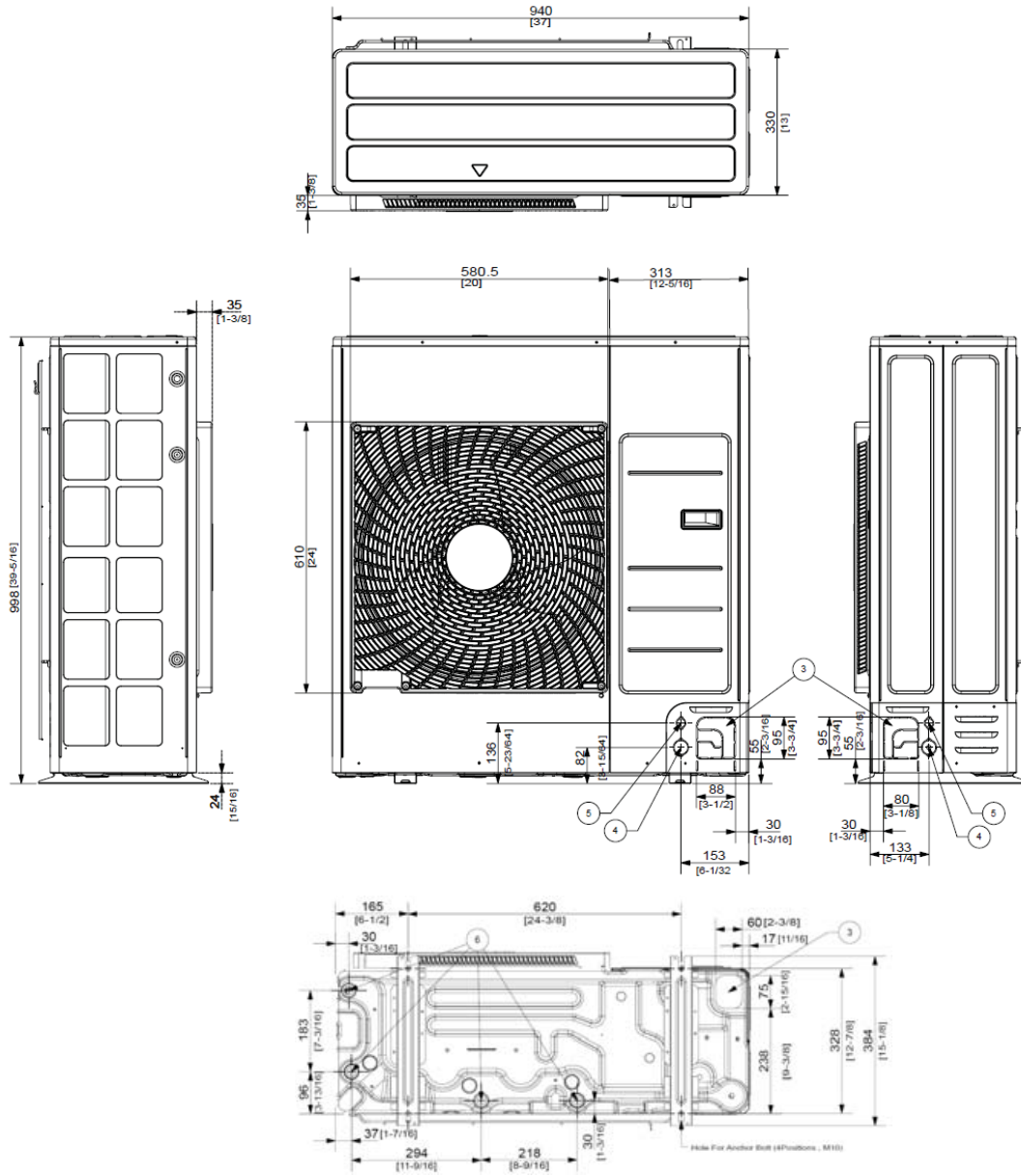
Optional Accessories

Wired Controller	Advanced	MWR-WG00UN
	Touchscreen	MWR-SH11UN
Thermostat Adapter (24vac)		MIM-A60UN
Wireless Controller		AR-EH04U
Wi-Fi Adapter	Single indoor unit	MIM-H14UN
	1-16 indoor units	MIM-H05UN
External Temperature Sensor		MRW-TA
External Contact Control		MIM-B14
Wall Bracket (for outdoor unit)		CKN-250
Wind Baffle	Front	WBF-2M-B
	Back	WBB-3M
Hail guard kit (includes back and side guards)		HGK-3
Line sets - insulated and flared, interconnect cables included		25' - ILS2510
		50' - ILS5010



Proper clearance must be maintained around unit for proper operation.

No.	Name	Description
①	Liquid Pipe Connection	Ø 3/8" Flare
②	Gas Pipe Connection	Ø 5/8" Flare
③	Drain Pipe Connection	OD 1 1/4", ID 1"
④	Conduit for Power & Communication Wiring	-
⑤	Air Inlet Grille	-
⑥	Air Outlet Louver	-
⑦	Fresh Air Inlet	Ø 4"



No.	Name	Description
1	Refrigerant liquid pipe	3/8"
2	Refrigerant gas pipe	5/8"
3	Drain hole	Connect with Provided Plug