

Job Name _____
 Purchaser _____
 Submitted to _____
 Unit Designation _____

Location _____
 Engineer _____
 Reference _____ Approval _____ Construction _____
 Schedule # _____

Specifications

Model	Indoor Unit Model Number (US Code)		AC030BNHDCH/AA (CNH30HDB)	
	Outdoor Unit Model Number (US Code)		AC030BXSCCC/AA (CXC30SCB)	
Performance	Nominal Capacity	Cooling (Btu/h)	30,000	
	Capacity Range	Cooling (Btu/h)	8,600 - 36,000	
	AHRI 210-240 2017 ¹	SEER		17.7
		EER		10.3
	AHRI 210-240 2023 ²	SEER2		17.9
EER2			10.3	
Power	Voltage	ø / V / Hz	1 / 208-230 / 60	
	Working Voltage Range (VAC)		187 - 253	
	Operating Current	(min. / std. / max.)	3.5 / 13.0 / 20.4	
	Max. Breaker	Amps	30	
	Min. Circuit Ampacity (A)		23.5	
Dimensions	W X H X D (in.)	Indoor Unit	47 1/4 X 9 13/16 X 27 9/16	
		Outdoor Unit	37 X 39 5/16 X 13	
	Weight (lbs.)	Indoor Unit	77.2	
		Outdoor Unit	156.5	
	Duct Connections (W X H)	Supply (in.)	45 15/16 X 8 11/16	
Return (ID, in.)		45 15/16 X 8 11/16		
Sound Pressure Level	Indoor Unit dB(A)	L / M / H	33 / 37 / 41	
	Outdoor Unit dB(A)	High	52	
Operating Temperatures	Outdoor	°F (°C)	23 ~ 122°F (-5 ~ 50°C)	
			-40 ~ 122°F (-40 ~ 50°C) W/Baffle	
	Indoor	°F (°C)	61 ~ 90°F (16 ~ 32°C)	
Pipe Connections	Indoor & Outdoor	High side (flare)	3/8"	
		Low side (flare)	5/8"	
	Maximum (ft.)		164	
	Maximum Vertical Separation (ft.)		98	
Condensate Connection		1 1/4 in. OD, 1 in. ID		
Refrigerant	Type		R410A	
	Factory Charge	lbs.	5.29	
	Charged for		24.6 ft.	
Compressor	Manufacturer	Samsung		
	Type	Inverter Driven, Twin BLDC Rotary		
	RLA	Amps	16.2	
Evaporator Fan	Type	BLDC (1) With Sirocco Fan (3)		
	Air Volume	CFM (L/M/H)	600 / 759 / 918	
	Output	Watts	153	
	External Static Pressure	Standard ("WC)	0.58	
		Min. / Max. ("WC)	0.1 / 0.8	
Condenser Fan	Motor	BLDC With Axial Type Fan (1)		
	FLA / Watts / CFM (max.)	0.97A X 1 / 125W X 1 / 2,755 CFM		
Safety	Certifications	UL 60335-2-40		
	Devices	PCB fuses, indoor unit terminal block thermal fuse, current transformer, over-voltage protection, crankcase heating, temperature limit protection logic, compressor overload sensing		



General Information

- The outdoor unit shall supply power to indoor unit via 14 AWG X 3 power wire
- High-voltage terminal block temperature sensor to disable unit in the event of power connection overheating
- Integral condensate pump with maximum 29" lift from bottom of the unit with check valve and float switch that disables indoor should condensate overflow be detected.
- Auto-restart after power loss
- Soft-start compressor minimizing current inrush
- All heat exchangers shall be mechanically bonded aluminum fin to copper tube
- The condensing unit heat exchanger salt spray test method: ISO-9227- the heat exchanger showed no unusual rust or corrosion development to 3,000 hours.
- Low ambient cooling to -40°F
- The outdoor unit shall have snow accumulation prevention option setting to prevent snow drifting against an idle outdoor unit.

Option settings

- Night-time Quiet Mode: reduction of operational sound during evening hours (*automatic or manual activation*)
- Emergency Temperature Output (ETO) function: when indoor unit is in error status or when room temperature exceeds configurable temperature level, the system outputs a signal to an external source, e.g., backup system, building management system, alert device (ex: status light, warning lamp, buzzer).
- Maximum Current Control configurable from 50% - 100% via outdoor unit, wired controller, or central controller

Indoor Fan

- Indoor fan is Centrifugal type
- Three fan speed settings and auto setting
- Smart pressure control feature that adjusts fan speed based on ESP delivering consistent cooling power
- The indoor unit shall have a smart-tuning function that can provide optimized comfort by allowing the occupant to offset the fan CFM curve with a wired remote controller (MWR-WG00UN) to increase or decrease airflow.
- The indoor unit shall have automatic air volume scanning for simple setup and optimized comfort settings for the occupant.

Construction

- Outdoor unit shall be galvanized steel with a baked-on powder coated finish for durability
- Indoor Unit: Insulated, galvanized steel.

Controls

- Control wiring shall be 2 X 16 AWG
- No additional interface modules/adapters are required when connecting to Samsung central control options.
- The unit shall be operated via a wireless or wired remote control with DDC type signal
- Wired or wireless controllers must be purchased separately

Refrigerant System

- The compressor shall be hermetically sealed, inverter-controlled BLDC rotary type.
- Refrigerant flow shall be controlled by an electronic expansion valve at outdoor unit

Air Filtration

- Air filtration shall be field provided
- Pressure drop across field-supplied filter must be factored into the total ESP.

Warranty

7 Years compressor, 5 years parts with registration

This publication reflects both the 1987 Appendix M metric (SEER) and the 2023 Appendix M1 metric (SEER2). Efficiency requirements are published at 10 C.F.R. 430.32(c). Please refer to www.AHRInet.org for more information about updated energy metrics.

¹Performance data certified by AHRI to AHRI 210-240 (2017) with Addendum 1.

²Performance data certified by AHRI to AHRI 210-240 (2023). Effective January 1st, 2023.

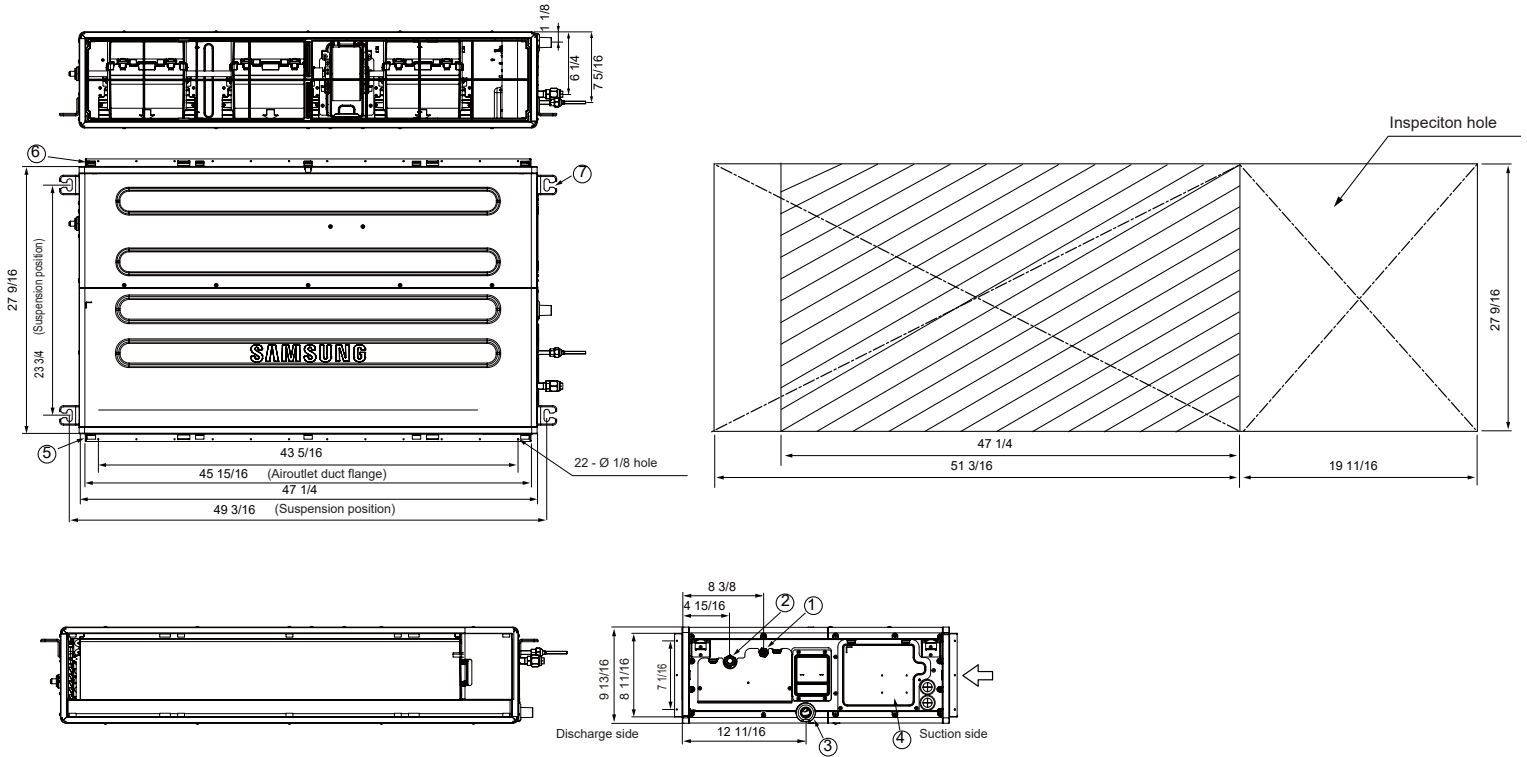
Samsung HVAC maintains a policy of ongoing development, specifications are subject to change without notice. Refer to www.AHRIdirectory.org for current reference numbers.

Notice: US Federal law requires that the above model to be installed in all U.S. states and territories except in AZ, CA, NM, and NV. Federal law prohibits installation of this unit in these states.

Optional Accessories

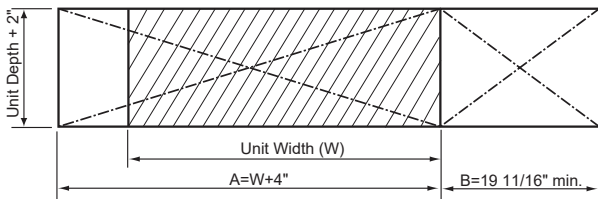
Wired Controller	Advanced	MWR-WG00UN
	Touchscreen	MWR-SH11UN
Thermostat Adaptor (for connection to a standard 24VAC thermostat)		MIM-A60UN
Wireless Signal Control	Wireless Signal Receiver	MRK-A10N
	Wireless Controller	AR-EH04U
Wi-Fi Adapter		MIM-H05UN
External Temperature Sensor		MRW-TA
Filter Box		FB-DS2
External Contact Control		MIM-B14
Wall Bracket (for outdoor unit)		CKN-250
Wind Baffles	Front	WBF-2M..
	Back	WBB-3M
Hail guard kit (includes back and side guards)		HGK-3
Line Sets - insulated and flared, interconnect cables included		25' - ILS-2510
		50' - ILS-5010

Units: Inches



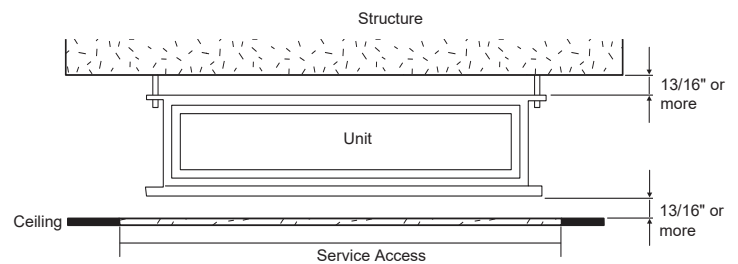
No.	Name	Description
1	Liquid pipe connection	Ø 3/8"
2	Gas pipe connection	Ø 5/8"
3	Drain pipe connection	3/4" (OD 1.05")
4	Power supply connection	-
5	Air discharge flange	-
6	Air filter	-
7	Hook	5/16" ~ 3/8"

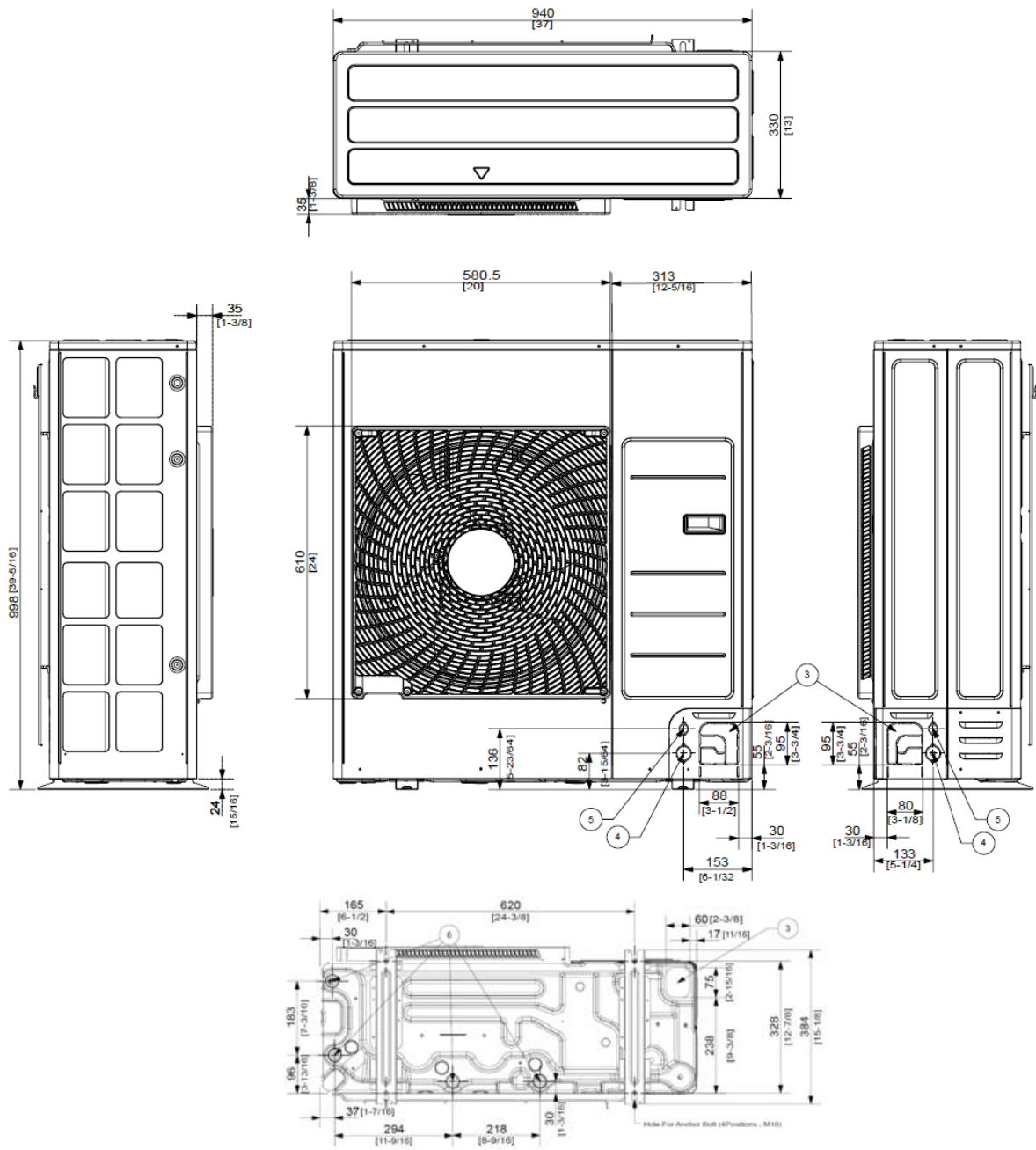
Inspection Opening Requirements



In applications where there is not a tile ceiling, an inspection hole is required. If height between ceiling and structure is 1.64' or more, inspection opening "B" is recommended. If height between ceiling and structure is less than 1.64', inspection opening "A" and "B" is recommended. (verify state and local codes).

Unit Clearance From Structure





No.	Name	Description
1	Refrigerant liquid pipe	3/8"
2	Refrigerant gas pipe	5/8"
3	Drain hole	Connect with Provided Plug